

Thank you for purchasing this Marantz product. This wall hanging bracket is for use with the ES7001. Do not use the wall hanging bracket for any other purpose, or with any other units. Please read this instruction manual thoroughly before use, and make sure that the bracket is installed by a professional contractor.

[Before Installation]

- Before installing the bracket, make sure you read and fully understand the “Safety Precautions” section.
- Store this instruction manual in a safe place.
- Ensure you strictly observe all of the cautions written on the bracket and in the instruction manual.
- Follow all of the instructions when installing the bracket.
- This bracket can only be used with the products that it was packaged with, or with the products specified in this instruction manual.
- Do not alter this bracket or accessories in any way.
- Do not use any of the parts if they are damaged. If you find that any of the parts are damaged, contact the store where you purchased this product.
- Always make sure that bolts and screws are tightened securely.
- After installation, periodically check the safety of the bracket.

[About Installation]

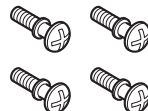
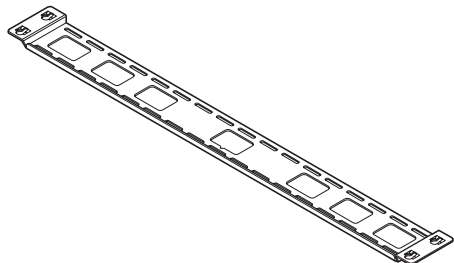
- This unit is sold with the precondition that the installation work be done by a professional who has sufficient skill and technical ability. Always entrust the erection and installation of this bracket to a professional contractor that specializes in this field, or the store where you purchased this product.
- After installing the wall hanging plate on the wall, holes from the attachment screws and the anchor bolts will be left in the wall after the wall hanging plate is removed.
- After prolonged use of the ES7001, the wall may become discolored due to the heat or flow of air generated by the ES7001.

Marantz cannot accept any responsibility for accidents or damage that result from defective installation or incorrect use, or accidental damage that results from unauthorized alterations of the products or natural disasters.

LIST OF ACCESSORIES

Before using this product, check the contents of the box to make there is nothing missing.

- MT7001 Wall hanging plate x 1
- ES7001 attachment screws x 4



* Always use attachment screws that are suitable for the attachment location of the wall hanging plate.

CONTENTS

SAFETY PRECAUTIONS	2
ABOUT THE INSTALLATION LOCATION	3
WHEN INSTALLING	4
INSTALLATION PROCEDURE	5
SPECIFICATIONS.....	8

SAFETY PRECAUTIONS

WARNING

- Installation should only be performed by a professional contractor. The unit may be dropped, may fall, and may therefore cause injury if an unqualified individual installs it.
- Do not install this unit in an unstable or weak location. Doing so may cause it to fall and cause injury.
- Installation work must be performed by at least 2 persons. Dropping this product or the unit may cause injury.
- Always perform installation work in a stable location. Working in unstable locations may cause you to fall, which may lead to injury.

ABOUT THE INSTALLATION LOCATION

WARNING

- Check the type of construction materials used and the structure of the installation location before starting the installation work.
If the installation work does not match the construction materials and structure of the installation location, the bracket or ES7001 may fall, causing injury.
- **Do not install directly onto a plasterboard wall or thin plywood.**
- Do not lean against or hang anything from the ES7001. Doing so may cause the ES7001 to fall and cause injury.
- The combined weight of the wall hanging unit and ES7001 is 13.2kg.
Always make sure that the installation location wall is strong enough to support the combined weight before starting the installation. If the grounding at the installation location is not strong enough, change to a different location, or strengthen the grounding.
- **Installing Onto Wooden Walls**
Always make sure the weight is supported by a wall stud or pillar, and reinforce if they are not strong enough.
- **Use commercially available screws etc that are suitable for the construction materials and structure of the wall.**
- **Installing Onto Concrete Walls**
Use commercially available anchors that are able to support the combined weight of the ES7001 and wall hanging bracket.

CAUTION

- Do not install near kitchen counters or humidifiers, or any locations that come into contact with greasy fumes or steam. Doing so may cause fire or electric shock.
- Do not install in particularly humid or dusty locations. Doing so may cause fire or electric shock.
- Do not install in hot or humid locations, or locations that may become wet easily. Doing so may cause fire or electric shock.
- Do not install near the intake or outflow of an air conditioning unit.
- Do not install in a location that has a lot of dust, greasy fumes, or tobacco smoke. Doing so may cause fire.
- Only install the wall hanging plate on vertical wall surfaces. Failing to do so may cause the unit to overheat internally, causing fire. Failing to do so may also cause the unit to drop, causing damage or injury.
- Do not install in locations that are subject to vibrations, impact, or a large amount of force. Doing so may cause the unit to drop, become damaged, or cause injury.
- Do not install in areas that are exposed to direct sunlight or strong light rays. Doing so may cause the unit to overheat internally, causing fire. Fire may also be caused by reflected light.
- Do not cover the ventilation holes. Also, maintain a suitable amount of space around the unit to allow air to circulate freely. Failing to do so may cause the unit to overheat internally, causing fire.

WHEN INSTALLING

WARNING

- Do not alter any of the parts, or use them for any means other than the intended use. Doing so may cause the ES7001 to fall and cause injury.
- If the installation location is directly above where people walk, use wires or other such means to prevent the unit from falling, even if the installation location can support the weight.
- Do not clip the ES7001 power cord and cables to the wall, over-bend, or twist them. Doing so may cause the cable core to short or break, which may cause fire.
- Do not hang any extra weight other than the ES7001 on the bracket. Doing so may cause the ES7001 to fall and cause injury.
- The installation work must be performed by 2 or more people. Failing to do so may cause the ES7001 to fall and cause injury.
- Thoroughly check to make sure there are no power cables or pipes inside the walls before starting the installation work.
- Loose screws in any of the parts may cause accidents such as the unit falling. Always ensure that all screws are fully tightened before installing the unit.
- If the wall hanging plate is installed upside down, the ES7001 will fall, which may cause injury.
- Check that the 4 installation screws for the ES7001 are correctly inserted into the installation holes of the MT7001.
Failing to do so may cause the ES7001 to fall and cause injury.

CAUTION

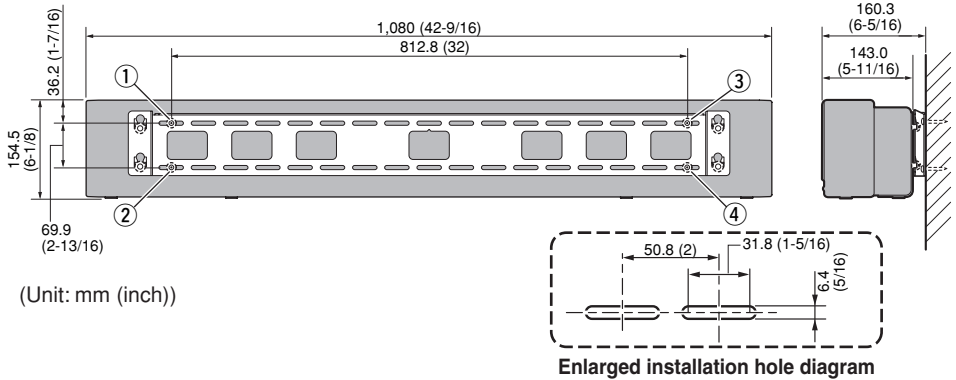
- Do not install so that the ES7001 juts out from the edge of the wall. Doing so may cause people or objects to knock against it causing injury.
- Use commercially available fall prevention bands to prevent the unit from falling.
- Marantz cannot accept any responsibility for accidents or damage that result from defective installation or incorrect use of this unit.
- Make sure you do not trap your fingers when installing this unit.

INSTALLATION PROCEDURE

1 Installing the wall hanging plate onto the wall

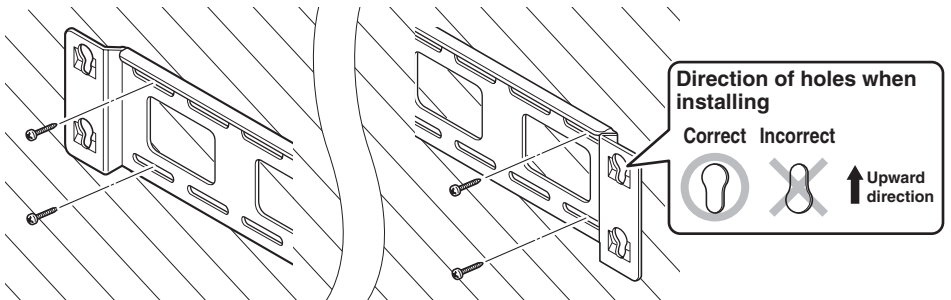
Before installing the wall hanging plate, make sure you have read and fully understand all of the warnings and precautions in this manual.

1. After reading all of the safety precautions in the “About the Installation Location” section of this manual, find a suitable installation position for the ES7001 on the wall surface.
2. Prepare 4 anchors and the necessary screws etc that are suitable for the strength and construction materials of the wall. Prepare screws that are 4~5mm diameter.
3. Use holes ①~④ on the diagram for the wall hanging plate installation holes. Following the dimensions shown in the diagram, firstly ensure that ①~④ are secured, and use the other holes for reinforcing the installation. When drilling the anchors and prepared holes in the wall, follow the dimensions shown in the diagram, and make sure that the installation will be level.



4. Securely install the wall hanging plate onto the wall.

- Securely tighten the screws so that there is no looseness, and check that the wall hanging plate is securely installed onto the wall.



- When installing the plate, make sure it is not upside down. Refer to the diagram below when installing to make sure the direction of the holes is the same as in the diagram.

Caution:

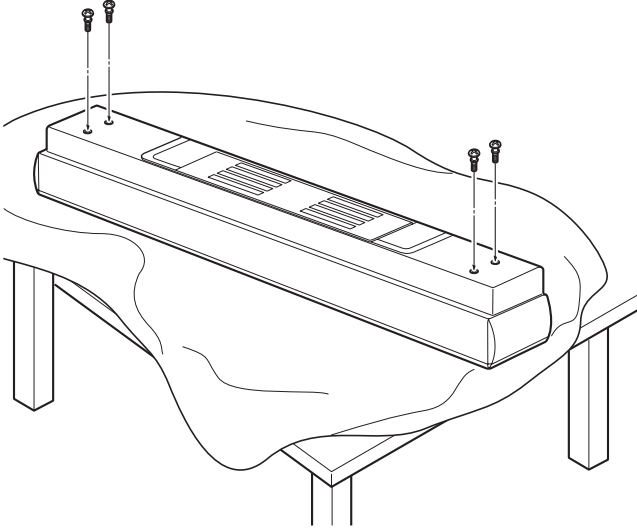
If the wall hanging plate is installed upside down, the ES7001 will fall, which may cause injury.

INSTALLATION PROCEDURE

② Attach the ES7001 installation screws to the ES7001

1. Remove the ES7001 cables, and place it on a level surface.

- While being careful not to scratch the ES7001 panel, cover the level surface with a soft cloth, and place the ES7001 onto the cloth with the front face down.



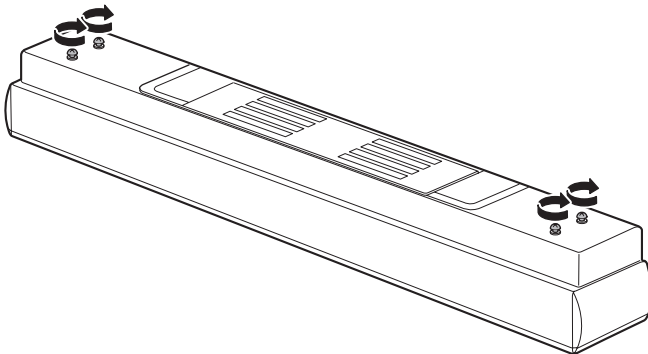
2. Attach the 4 ES7001 installation screws to the ES7001.

- Tighten the screws securely so there is no looseness.

Caution:

Use the installation screws provided as the installation screws.

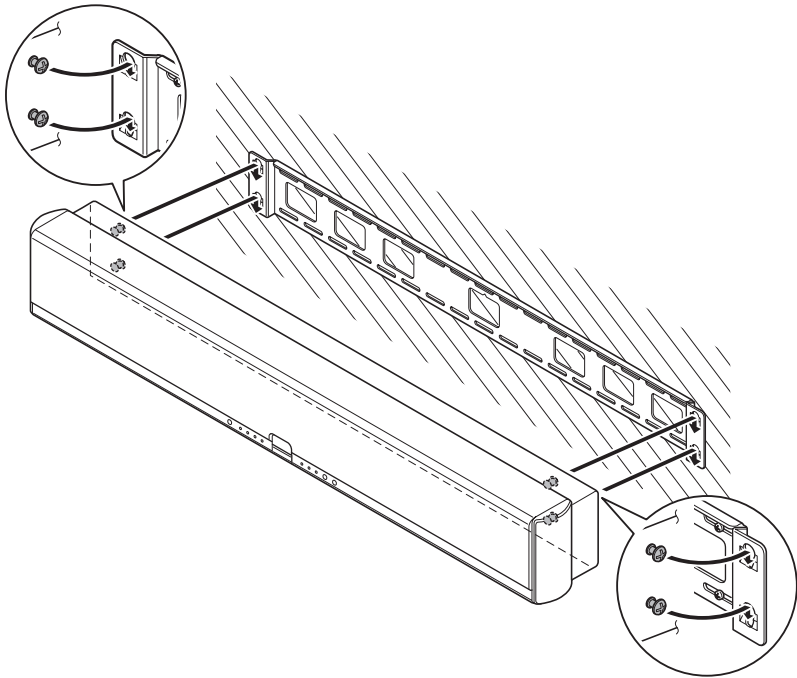
Using other screws may cause damage to the ES7001, or may cause it to fall, which may also cause damage or injury.



INSTALLATION PROCEDURE

3 Installing the ES7001 onto the wall hanging plate

1. Insert the cables into the ES7001.
2. Lift the ES7001 so that the installation screws that you attached to the ES7001 fit into the 4 holes in the installation plate on the wall.
3. Insert the ES7001 screws into the holes and slide the ES7001 down to lock it against the wall.
 - Check that all 4 screws are securely in the holes, and that the unit is fixed firmly in place.
 - When lifting the ES7001, make sure that you do not trap any of the cables.
 - Make sure you do not scratch or injure your hands or fingers.



Warning:

- If the 4 screws are not correctly inserted into the 4 holes on the plate, the ES7001 may fall causing injury.
 - If the wall hanging plate has been installed upside down, the ES7001 will fall causing injury.
4. To remove the ES7001 from the wall, lift the ES7001 and pull it forward to remove it.

Caution:

If the unit has been installed for a long period of time, it may be difficult to remove the unit from the wall hanging plate.

SPECIFICATIONS

- Weight 1.2kg (2.6lbs)
- Dimensions (Unit: mm (inch))

ENGLISH

