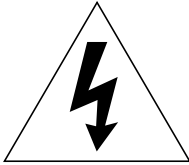



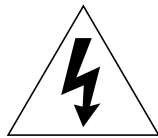
# **marantz®**

**Model SR4120 User Guide**

---

Receiver

	<b>CAUTION</b> <b>RISK OF ELECTRIC SHOCK</b> <b>DO NOT OPEN</b>	
<b>CAUTION: TO REDUCE THE RISK OF ELECTRIC SHOCK, DO NOT REMOVE COVER (OR BACK) NO USER-SERVICEABLE PARTS INSIDE REFER SERVICING TO QUALIFIED SERVICE PERSONNEL</b>		



The lightning flash with arrowhead symbol, within an equilateral triangle, is intended to alert the user to the presence of uninsulated "dangerous voltage" within the product's enclosure that may be of sufficient magnitude to constitute a risk of electric shock to persons.



The exclamation point within an equilateral triangle is intended to alert the user to the presence of important operating and maintenance (servicing) instructions in the literature accompanying the appliance.

## WARNING

**TO REDUCE THE RISK OF FIRE OR ELECTRIC SHOCK,  
DO NOT EXPOSE THIS APPLIANCE TO RAIN OR MOISTURE.**

---

**CAUTION: TO PREVENT ELECTRIC SHOCK, MATCH WIDE  
BLADE OF PLUG TO WIDE SLOT, FULLY INSERT.**

**ATTENTION: POUR ÉVITER LES CHOCS ÉLECTRIQUES,  
INTRODUIRE LA LAME LA PLUS LARGE DE LA FICHE DANS LA  
BORNE CORRESPONDANTE DE LA PRISE ET POUSSER  
JUSQU'AU FOND.**

---

# SAFETY INSTRUCTIONS

READ BEFORE OPERATING EQUIPMENT

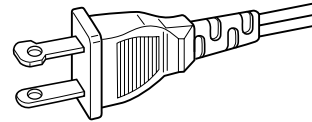
This product was designed and manufactured to meet strict quality and safety standards. There are, however, some installation and operation precautions which you should be particularly aware of.

1. Read Instructions — All the safety and operating instructions should be read before the appliance is operated.
2. Retain Instructions — The safety and operating instructions should be retained for future reference.
3. Heed Warnings — All warnings on the appliance and in the operating instructions should be adhered to.
4. Follow Instructions — All operating and use instructions should be followed.
5. Water and Moisture — The appliance should not be used near water — for example, near a bathtub, washbowl, kitchen sink, laundry tub, in a wet basement, or near a swimming pool, etc.
6. Carts and Stands — The appliance should be used only with a cart or stand that is recommended by the manufacturer.
7. An appliance and cart combination should be moved with care. Quick stops, excessive force, and uneven surfaces may cause the appliance and cart combination to overturn.



8. Wall or Ceiling Mounting — The appliance should be mounted to a wall or ceiling only as recommended by the manufacturer.
9. Ventilation — The appliance should be situated so that its location or position does not interfere with its proper ventilation. For example, the appliance should not be situated on a bed, sofa, rug, or similar surface that may block the ventilation openings; or, placed in a built-in installation, such as a bookcase or cabinet that may impede the flow of air through the ventilation openings.
10. Heat — The appliance should be situated away from heat sources such as radiators, heat registers, stoves, or other appliances (including amplifiers) that produce heat.
11. Power Sources — The appliance should be connected to a power supply only of the type described in the operating instructions or as marked on the appliance.

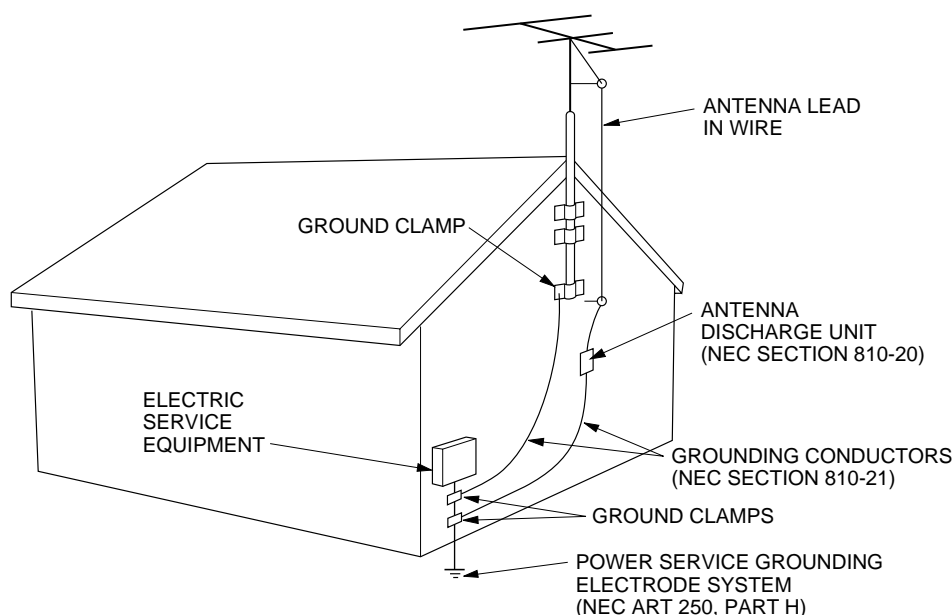
12. Grounding or Polarization — The precautions that should be taken so that the grounding or polarization means of an appliance is not defeated.



AC POLARIZED PLUG

13. Power-Cord Protection — Power-supply cords should be routed so that they are not likely to be walked on or pinched by items placed upon or against them, paying particular attention to cords at plugs, convenience receptacles, and the point where they exit from the appliance.
14. Cleaning — The appliance should be cleaned only as recommended by the manufacturer.
15. Power Lines— An outdoor antenna should be located away from power lines.
16. Outdoor Antenna Grounding — If an outside antenna is connected to the receiver, be sure the antenna system is grounded so as to provide some protection against voltage surges and built up static charges. Section 810 of the National Electrical Code, ANSI/NFPA No. 70-1984, provides information with respect to proper grounding of the mast and supporting structure, grounding of the lead-in wire to an antenna discharge unit, size of grounding conductors, location of antenna-discharge unit, connection to grounding electrodes, and requirements for the grounding electrode. See Fig. 1.
17. Nonuse Periods — The power cord of the appliance should be unplugged from the outlet when left unused for a long period of time.
18. Object and Liquid Entry — Care should be taken so that objects do not fall and liquids are not spilled into the enclosure through openings.
19. Damage Requiring Service — The appliance should be serviced by qualified service personnel when:
  - A. The power-supply cord or the plug has been damaged; or
  - B. Objects have fallen, or liquid has spilled into the appliance; or
  - C. The appliance has been exposed to rain; or
  - D. The appliance does not appear to operate normally or exhibits a marked change in performance; or
  - E. The appliance has been dropped, or the enclosure damaged.
20. Servicing — The user should not attempt to service the appliance beyond that described in the operating instructions. All other servicing should be referred to qualified service personnel.

**FIGURE 1**  
**EXAMPLE OF ANTENNA GROUNDING ACCORDING TO**  
**NATIONAL ELECTRICAL CODE INSTRUCTIONS**  
**CONTAINED IN ARTICLE 810 -"RADIO AND TELEVISION EQUIPMENT"**



NEC - NATIONAL ELECTRICAL CODE

**NOTE TO CATV SYSTEM INSTALLER:**

This reminder is provided to call the CATV (Cable-TV) system installer's attention to Article 820-40 of the NEC, which provides guidelines for proper grounding and, in particular, specifies that the cable ground shall be connected to the grounding system of the building, as close to the point of cable entry as practical.

**NOTE:**

This equipment has been tested and found to comply with the limits for a Class B digital device, pursuant to Part 15 of the FCC Rules. These limits are designed to provide reasonable protection against harmful interference in a residential installation. This equipment generates, uses and can radiate radio frequency energy and, if not installed and used in accordance with the instructions, may cause harmful interference to radio communications. However, there is no guarantee that interference will not occur in a particular installation. If this equipment does cause harmful interference to radio or television reception, which can be determined by turning the equipment off and on, the user is encouraged to try to correct the inter-

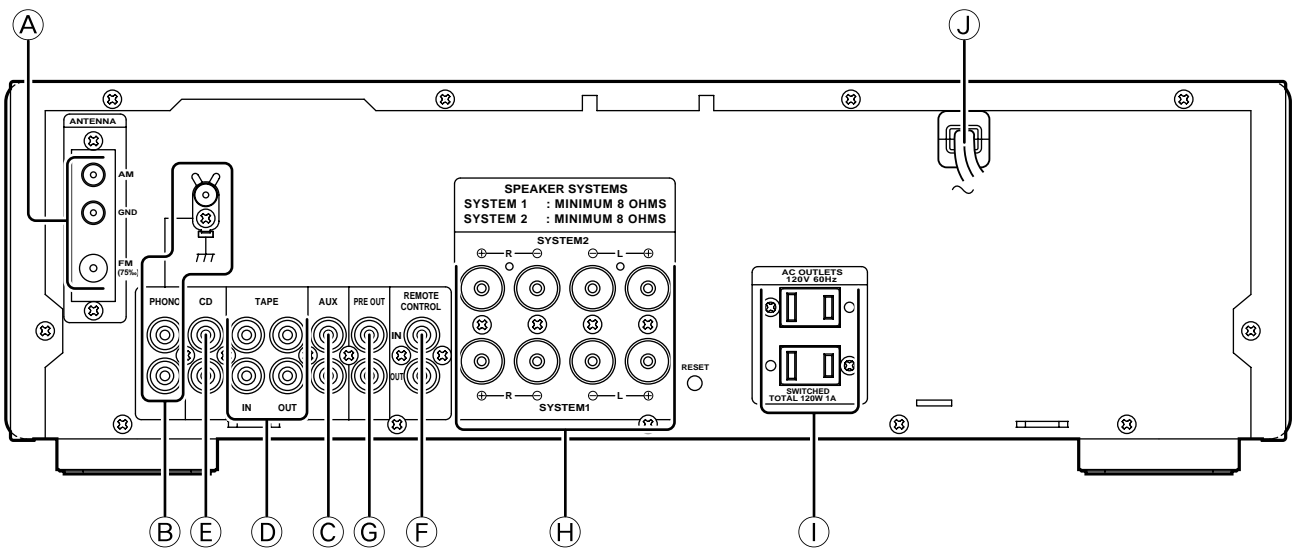
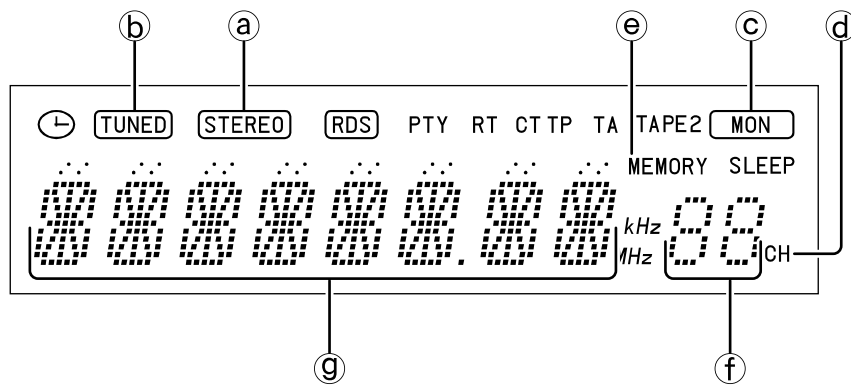
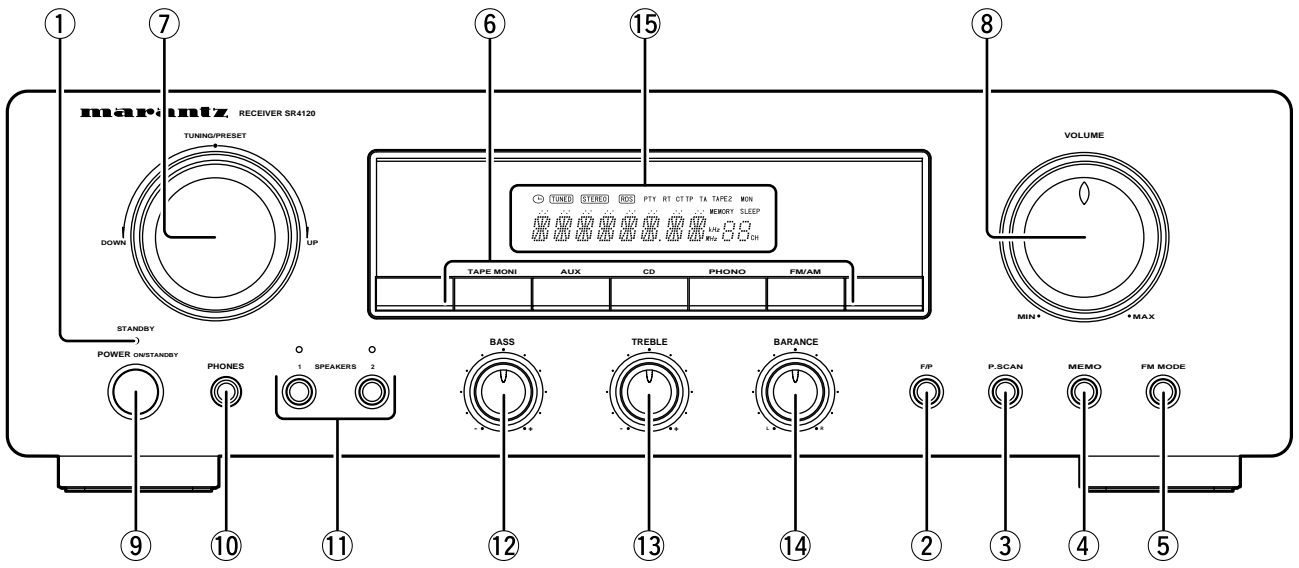
ference by one or more of the following measures:

- Reorient or relocate the receiving antenna.
- Increase the separation between the equipment and receiver.
- Connect the equipment into an outlet on a circuit different from that to which the receiver is connected.
- Consult the dealer or an experienced radio/TV technician for help.

**NOTE: Changes or modifications may cause this unit to fail to comply with Part 15 of the FCC Rules and may void the user's authority to operate the equipment.**

**This Class B digital apparatus complies with Canadian ICES-003.**

Cet appareil numérique de la Classe B est conforme à la norme NMB-003 du Canada.



## FOREWORD

This section must be read carefully before any connection is made to the mains supply.

## WARNINGS

- Do not expose the equipment to rain or moisture.
- Do not remove the cover from the equipment.
- Do not insert anything into the equipment through the ventilation holes.
- Do not handle the mains lead with wet hands.

## INTRODUCTION

Thank you selecting the Marantz receiver for your system.

This receiver incorporates a number of features designed to enhance the listening of your favorite music.

Please read these operating instructions carefully. We recommend that you read the entire user guide before you attempt to connect or operate the receiver.

After you have reviewed the contents of this manual, We recommend that you make all system connections before you attempt to operate the unit.

Refer to the figures on the page 5. The call out numbers on the figures correspond to those found in the text. All references to the connections and controls that are printed in **BOLD** type are as they appear on the unit.

## INSTALLATION

Remember the following important points when installing the receiver.

- Do not expose the component to rain or moisture, as this may cause damage to the receiver.
- All receivers produce some heat during operation and this heat must be allowed to disperse freely. Do not close any ventilation openings and insure that there is adequate ventilation space behind, beside and above the receiver.
- Prevent extra heat from reaching the unit. Never put the receiver in the full glare of the sun or near a heat source.

## PRECAUTIONS

The following precautions should be taken when operating the equipment.

## GENERAL PRECAUTIONS

When installing the equipment ensure that:

- the ventilation holes are not covered.
- air is allowed to circulate freely around the equipment.
- it is placed on a vibration-free surface.
- it will not be exposed to excessive heat, cold, moisture or dust.
- it will not be exposed to direct sunlight.
- it will not be exposed to electrostatic discharges.
- always install the unit horizontally.

In addition, never place heavy objects on the equipment.

If a foreign object or water does enter the equipment, contact your nearest dealer or service center.

Do not pull out the plug by pulling on the mains lead; grasp the plug itself.

it is advisable when leaving the house, or during a thunderstorm, to disconnect the equipment from the AC outlet.

## FEATURES

- Equipped with 4 audio inputs.
- FTC 55 watt x2 output power.
- Full discrete main amplifier.
- FM/AM each 30-stations random preset memory.

# LOCATION AND FUNCTION OF PARTS AND CONTROLS

## Front panel Features

### ① STANDBY indicator

This indicator lights up when in the standby mode.

### ② F/P (frequency or preset number) button

This use the display mode to select the frequency or preset number display.

### ③ P.SCAN button

This button is used to automatically scan the tuner's preset stations.

When pressed, the tuner starts scanning the preset stations.

### ④ MEMO (Memory) button

Press this button to memorize the desired station frequency.

### ⑤ FM MODE button

Press this button to select stereo or monaural mode, when listening to FM broadcasts.

### ⑥ Input selectors button

These buttons select the audio source. The selected source name will be displayed on Fluorescent display.

### ⑦ Tuning / preset UP and DOWN knob

During AM or FM reception, you can scan to other frequencies or preset number by adjust knob.

### ⑧ VOLUME CONTROL knob

Adjust the sound volume with this control knob. Pre-out can also do control.

### ⑨ POWER switch

When this switch is pressed once, the power turns ON and display appear on the display panel.

When pressed again, the power turns OFF.

After initialization or resetting, press this switch to enter the standby mode.

To turn the power ON, press any of the function buttons of the main unit or the POWER button of the remote control unit.

### ⑩ PHONES socket for stereo headphones

This jack is compatible with a wide range of conventional dynamic headphone types.

### ⑪ SPEAKERS (system 1 or 2) buttons

Use these buttons to select speaker system 1 or 2, or both.

### ⑫ BASS CONTROL knob

Adjust the low frequency level with this control according to your taste and room acoustics.

### ⑬ TREBLE CONTROL knob

Adjust the high frequency level with this control according to your taste and room acoustics.

### ⑭ BALANCE CONTROL knob

Adjust the sound volume between left and right speakers with this control knob.

### ⑮ Display

#### a STEREO indicator

This indicator lights up, when in FM stereo mode.

#### b TUNED indicator

This indicator lights up, when a broadcast is received properly.

#### c TAPE MONITOR indicator

This indicator lights up, when in TAPE MONITOR Mode.

#### d PRESET indicator

This indicator lights up, when in preset display Mode.

#### e MEMORY indicator

When the MEMO (memory) button is pressed, this indicator lights up for about 5 seconds.

#### f PRESET NUMBER, DISPLAY

Shows the selected preset number.

#### g FREQUENCY/CHARACTER DISPLAY

This display's the selected station frequency or the corresponding words when selecting a program source.

## Rear panel connections (see pages 5)

All connections to the rear panel should be made with entire power off to the system. To avoid miss-connection, it is advisable to connect one cable at a time between the different components. This is the safest way to avoid cross-connecting channels or mix-up signal inputs with outputs.

### **A Antenna terminal**

FM antenna terminal

For connecting an external FM antenna with a coaxial cable, or for connecting a cable network.

AM antenna and ground terminal

For connecting the supplied AM loop antenna. Use the terminals marked "AM" and "GND".

The supplied AM loop antenna will provide good AM reception in most areas. Position the loop antenna to the best reception.

### **B PHONO INPUT jacks**

Connect the output jacks of a turntable to these jacks.

### **C AUX(TV) INPUT jacks**

Connect to the TV's (or other equipment) audio out jack.

### **D TAPE input/output jacks**

Connect the output (play) jack of the cassette deck to the IN jack, and connect the input (REC.) jack to the OUT jack.

### **E CD input jacks**

Connect to the CD's audio out jack.

### **F REMOTE jacks**

Connect to other Marantz components equipped with REMOTE jacks. (see page 9)

Marantz components utilize the Philips RC-5 remote control system language.

### **G PRE OUT jacks**

These jacks supply pre-amplifier output signals, and are used for connection to external power amplifiers.  
(if necessary)

### **H SPEAKER terminals**

Connect to the L or R channel speakers.

### **I AC outlets**

Connect the AC power cable of a CD player, cassette deck, etc., of your system. The power supply from switched outlet is interlocked with the POWER switch of the receiver.

The maximum total power consumption of the connected components must not exceed the following limit :

120 WATT MAX. TOTAL

### **J AC power cord**

Plug into AC120V household outlet.

Note on loudspeaker impedance :

The power ratings specified for this Marantz receiver are obtained using fixed value test load impedance.

However, the actual impedance of a loudspeaker system will vary with frequency, deviating from the nominal rating.

This Marantz receiver will drive any modern loudspeakers system with a rated impedance of 8 ohms or higher.

A few newer loudspeakers feature impedance of less than 8 ohms. The high current output capability of this Marantz receiver can provide the additional power necessary to drive such low impedance speakers.

However, during extended passages of high volume, the protection circuitry may temporarily interrupt operation.

If this occurs, simply reduce the volume accordingly. The protection circuitry is specially designed so that it cannot affect the sound quality during normal operation.



## Remote control bus connections

This unit is equipped with a remote control function. By connecting this unit's remote control jacks to a Marantz CD player or tape deck equipped with remote control (D-BUS) jacks, it allows system remote control operation.

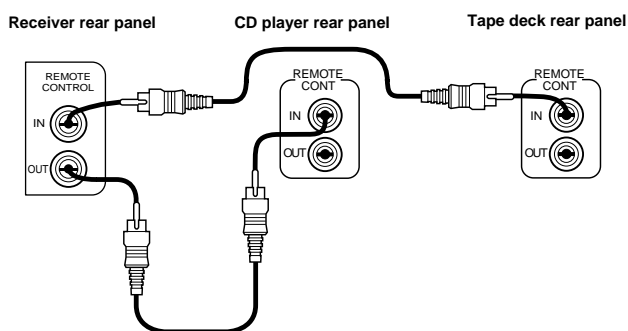
Connect **REMOTE CONT. OUT** jack of the receiver to **REMOTE CONT. IN** of other Marantz equipment, i.e. CD player or Cassette deck, by using an RCA pin cable.

The sequence of connection between components has no order.

### Note:

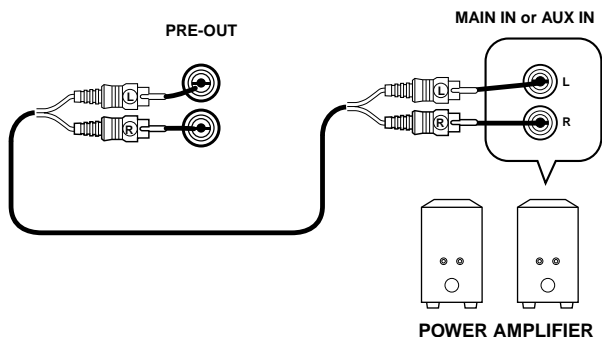
If a component equipped with remote control (D-BUS) jacks has an INT/EXT switch on the rear panel, set the switch to EXT when using the system control function.

(Connection example)



## PRE OUT jacks

The receiver is equipped with PRE OUT jacks. The receiver has enough power for normal listening but these jacks are prepared to connect other amplifiers for higher power output. In such a case, connect these jacks to the main input or AUX input jacks of the power amplifier.



## BASIC OPERATION

### Listening to the tuner

1. Press the **POWER** switch ⑩ to turn on the power.
2. Press the **AM/FM** button ⑥ to select the desired band.
3. Adjust the **TUNING UP** and **DOWN** knob ⑦ to tune in the desired station. Adjust once for less than a half second changes the frequency by one step. Adjust longer sequentially scans frequencies in the indicated direction. Releasing the button in this state activates the auto tuning function, which automatically scans the frequencies until it reaches a station, at which point the **TUNED** and auto tuning stops.
4. Adjust the sound volume with the **VOLUME** control ⑧.

If necessary, adjust the tone controls (**BASS/TREBLE**) ⑬ and ⑭.

## PRESETTING STATIONS

Up to FM/AM each 30 stations can be preset at random, regardless of the reception band. Tune in the station to be memorized using the auto or manual tuning.

### manual preset

1. Press the **MEMO**(memory) button ④, then the "MEMORY" indicator lights up for about 5 seconds.
  - When the **MEMORY** indicator goes off, press again to memorize.
2. Select the preset number with **TUNING UP/DOWN** knob ⑦.
3. Press the **MEMO** (memory) button ④ again.
4. Repeat steps 1 to 3 to memorize other stations.
  - When memorizing a new station, the previous memorized station the same preset number is cleared.

### auto preset

1. The receiver is set in FM.
2. You keeps pushing **MEMO** (memory) button ④ at about 3 seconds.
3. Then, tuner automatically begins scanning. Scanning stops automatically after radio stations have been stored in the Auto Preset memory.

## LISTENING TO FM STEREO BROADCASTS

- During FM broadcasts, press the **FM MODE** button ⑤ to select the auto stereo mode.
- Each time this button is pressed, the mode changes as follows.
  - stereo mode : STEREO indicator lights up.
  - monaural mode : STEREO indicator goes off.
- When listening to very weak FM stereo stations, you may experience higher than normal background hiss. Switch to monaural sound to eliminate the hiss.

## PLAYBACK OPERATION

### Normal playback

1. Press the **POWER** switch ⑩ to turn on the power.
2. Press the desired input selector ⑥ according to the table shown below.
3. Start playing the desired source.
  - Adjust the volume using the **VOLUME** control ⑧.
  - If necessary, adjust the tone using the **BASS** and **TREBLE** controls ⑬ and ⑭.

Source component	Input selector
CDV-CD player	CD
FM or AM broadcasting	FM/AM
TV or AUX	AUX/TV
Analog player	PHONO
Cassette deck	TAPE MONI

## ADJUSTMENTS

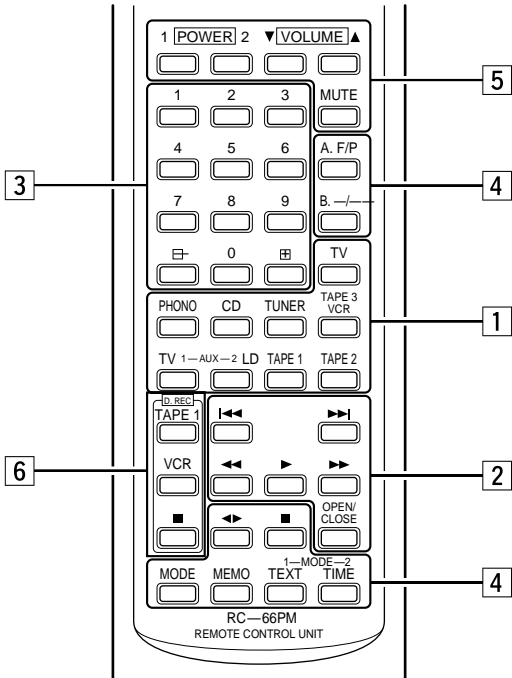
### ● RECORDING WITH A CASSETTE DECK

#### Recording with TAPE 1

1. Select the program source to be record with the **INPUT FUNCTION SELECTOR** buttons ⑥.
2. Start recording on the cassette deck connected to the **TAPE 1** jacks.
3. The volume, balance, bass and treble setting have no effect on the recording or dubbing.

# REMOTE CONTROL UNIT RC-66PM

The RC-66PM can be used to control a Marantz AV component equipped with a remote sensor as well as other Marantz components connected to the first component through the Remote Control Bus. The buttons of the RC-66PM are laid out on its control panel according to the functional groups as described below.



When the button of the Tuner source selection buttons is pressed, the remote control buttons will have the functions as listed below.

BUTTON NAME	FUNCTION
+	Preset up
-	Preset down
A, F/P+[3]	(Frequency) Direct. Tuning
MODE	Stereo/Mono
MEMO	Preset memory
POWER 2	Receiver ON/OFF
MUTE	Amp Audio Mute/DeMute
VOL ▲	Amp Volume up
VOL ▼	Amp Volume dow

When source selection button **1** is pressed, the buttons in groups **2**, **3**, **4** and **5** become the operation buttons of the player, tuner, TV, etc., which is selected with the amplifier source selection button.

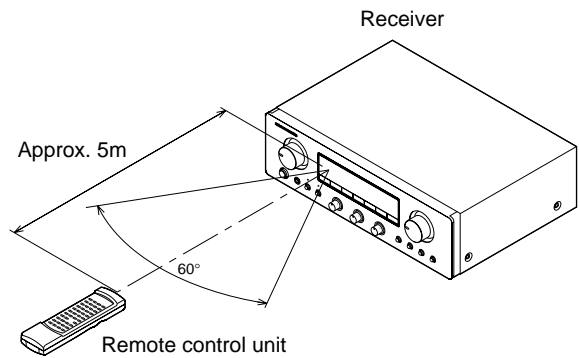
# USING THE REMOTE CONTROL UNIT

## 1. Remote control

Operate the remote control unit (RC-66PM) within a distance of approx. 5 m from the infrared signal reception window (remote sensor) on the front of the Receiver.

Remote control operation may not be possible if the remote control unit's transmitter is not pointing in the direction of the remote sensor or if there is an obstruction between the transmitter and the remote sensor.

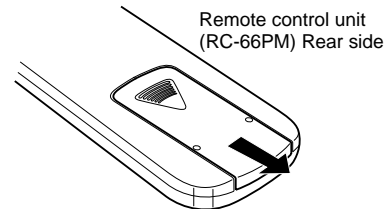
### Remote control operating range



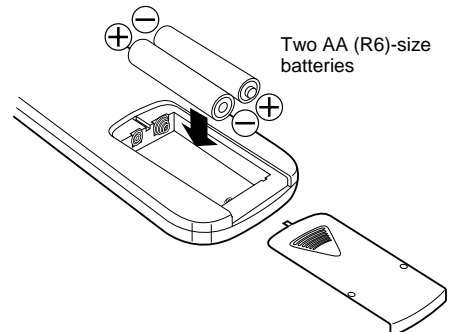
## 2. Loading batteries

Batteries in this remote control unit have a life of approximately 1 year under normal operating conditions. When the remote control unit is not to be used for an extended period of time, remove the batteries. Also, when you notice that the batteries are starting to run down, replace them as soon as possible.

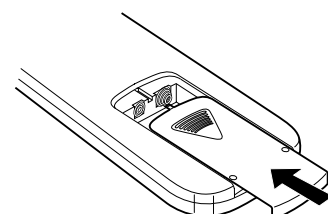
### ① Remove the battery cover



### ② Insert the batteries with correct R/S orientation.



### ③ Close the battery cover until it clicks shut.



## NOTES ON INSTALLATION

When the component is installed on or near other audio equipment hum sometimes occurs. Position the equipment so that the hum ceases. Always install the unit horizontally.

This model incorporates a microprocessor with high performance. In case of any malfunction due to static electricity, etc., please turn off the **POWER** switch, and after 30 seconds turn it on again.

## CARE AND MAINTENANCE

This section describes the care and maintenance tasks that must be performed to optimize the operation of your Marantz equipment.

## CLEANING OF EQUIPMENT EXTERNAL SURFACES

The exterior finish of your receiver will last indefinitely with proper care and cleaning. Never use scouring pads, steel wool, scouring powders or harsh chemical agents (e.g., lye solution), alcohol, thinners, benzene, insecticide or other volatile substances as these will mar the finish of the equipment. Likewise, never use cloths containing chemical substances. If the equipment gets dirty, wipe the external surfaces with a soft, lint-free cloth.

**If the equipment becomes heavily soiled:**

- dilute some washing up liquid in water, in a ratio of one part detergent to six parts water;
- dip a soft, lint free cloth in the solution and wring the cloth out until it is damp;
- wipe the equipment with the damp cloth
- dry the equipment by wiping it with a dry cloth.

## REPAIRS

Only the most competent and qualified service technicians should be allowed to service your unit. Marantz and its factory trained warranty station personnel have the knowledge and special equipment needed for the repair and calibration of this precision instrument.

In the event of difficulty, call the proper toll-free telephone number listed on the face of the warranty to obtain the name and address of the Marantz Authorized Service Center nearest you. In many cases, the dealer where you purchased your Marantz unit may be equipped to provide service. Please include the model, serial number of your unit together with a copy of your purchase receipt and a full description of what you feel is abnormal in its behaviour.

### Memory backup

- In case a power outage occurs or the power cord is accidentally unplugged, the receiver is equipped with a backup function to prevent memory data such as the preset memory from being erased. The memory functions are backed up for up to about one week.

## TROUBLE SHOOTING GUIDE

If your receiver/amplifier should not perform as expected, consult the table below to see if the problem can be corrected before seeking help from your dealer or our service organization.

PROBLEM	POSSIBLE CAUSE	REMEDY
No power	<ul style="list-style-type: none"> <li>The AC input cord is disconnected.</li> <li>Poor connection at AC wall outlet or the outlet is inactive.</li> </ul>	<ul style="list-style-type: none"> <li>Connect cord securely.</li> <li>Check the outlet using lamp or other appliance.</li> </ul>
The sound is shut off	<ul style="list-style-type: none"> <li>The speaker cables are shorted.</li> </ul>	<ul style="list-style-type: none"> <li>Check the speaker connections.</li> </ul>
No sound from the speakers	<ul style="list-style-type: none"> <li>The speaker cables are disconnected.</li> <li>The master volume adjusted too low.</li> <li>The mute button is pressed to on.</li> <li>The speaker switches are not pressed correctly.</li> <li>Incorrect selections of program source.</li> <li>Incorrect connections between the components.</li> </ul>	<ul style="list-style-type: none"> <li>Check the speaker connections.</li> <li>Adjust the master volume.</li> <li>Press the MUTE button to cancel.</li> <li>Press the speaker switch to ON.</li> <li>Select the desired program source correctly.</li> <li>Make connections correctly.</li> </ul>
Sound is only heard from one of front speakers	<ul style="list-style-type: none"> <li>The BALANCE control is set to one end.</li> <li>One of the connection cords is disconnected.</li> </ul>	<ul style="list-style-type: none"> <li>Adjust BALANCE control.</li> <li>Connect the right and left connection cords securely.</li> </ul>
The remote control unit does not operate	<ul style="list-style-type: none"> <li>Batteries are not loaded or exhausted.</li> <li>The remote sensor is obstructed.</li> </ul>	<ul style="list-style-type: none"> <li>Replace the with new batteries.</li> <li>Remove the obstacle from the remote sensor.</li> </ul>
Not receiving the station	<ul style="list-style-type: none"> <li>No antenna is connected.</li> <li>The desired station frequency is not tuned in.</li> </ul>	<ul style="list-style-type: none"> <li>Connect an antenna.</li> <li>Tune in the desired sating again.</li> </ul>
Not receiving the preset station	<ul style="list-style-type: none"> <li>An incorrect station frequency has been memorized.</li> <li>The memorized stations are cleared</li> </ul>	<ul style="list-style-type: none"> <li>Memorized the correct station frequency.</li> <li>Memorize the stations again.</li> </ul>
Poor FM reception	<ul style="list-style-type: none"> <li>No antenna is connected.</li> <li>The antenna is not positioned for the best reception.</li> </ul>	<ul style="list-style-type: none"> <li>Connect an antenna.</li> <li>Change he position of the antenna. Route as high as possible.</li> </ul>
Continuous hissing noise during FM reception, especially when a stereo broadcast is received	<ul style="list-style-type: none"> <li>Weak signal.</li> </ul>	<ul style="list-style-type: none"> <li>In areas remote from the transmitter, a 5 to 8 element antenna designed exclusively for FM is suggested.</li> </ul>
Continuous or intermittent hissing noise during AM reception, especially at night. A hum can be heard during AM reception.	<ul style="list-style-type: none"> <li>Noise is caused by motors, fluorescent, lamps or lightning, etc..</li> <li>The AC input cord may be too close to the AM loop antenna or the antenna wire.</li> </ul>	<ul style="list-style-type: none"> <li>Keep the receiver away from noise sources. Install an outdoor AM antenna.</li> <li>Position the AC input cord away from the antenna wire and the AM loop antenna. Adjust the position of the AM loop antenna.</li> </ul>

# TECHNICAL SPECIFICATIONS

ENGLISH

## FM Tuner Section

Frequency Range .....	87.5 – 108.0 MHz
Usable Sensitivity .....	IHF 2.0 $\mu$ V/11.3 dBf
Signal to Noise Ratio .....	Mono/Stereo 70/65 dB
Distortion .....	Mono/Stereo 0.3/0.5 %
Stereo Separation .....	1 kHz 32 dB
A.C.S. ....	$\pm$ 400 kHz 50 dB
Image Rejection .....	98.1 MHz 40 dB
Tuner Output Level .....	1 kHz, $\pm$ 75 kHz Dev 600 mV

## AM Tuner Section

Frequency Range .....	520 – 1710 kHz
Usable Sensitivity .....	Loop 500 $\mu$ V
Signal to Noise Ratio .....	40 dB
Distortion .....	1 kHz, 30 % Mod. 1.0 %
Selectivity .....	$\pm$ 10 kHz 25 dB

## Audio Section

Rated Power .....	20 Hz – 20 kHz 8 ohms 60 W/Ch
THD .....	20 Hz – 20 kHz 8 ohms 0.09 %
Input Sensitivity/Impedance	
Linear .....	200 mV/47 k ohms
Signal to Noise Ratio (IHF A)	
Linear .....	95 dB

## Others

Power Supply .....	AC 120 V 60 Hz
Power Consumption .....	1.8 A

## Dimensions (MAX)

Width .....	17-5/16 inches (440 mm)
Height .....	5-3/8 inches (137 mm)
Depth .....	15-7/16 inches (392 mm)
Weight .....	16.5 lbs (7.5 kg)

Specifications subject to change without prior notice.

## AVANT-PROPOS

Prière de lire ce chapitre avant de brancher l'appareil sur le secteur.

## AVERTISSEMENT

- Ne pas exposer l'appareil à la pluie ou à l'humidité.
- Garder le coffret de l'appareil fermé.
- Ne rien insérer par les trous d'aération de l'appareil.
- Ne pas manipuler le cordon d'alimentation avec des mains mouillées.

## INTRODUCTION

Merci pour avoir choisi l'ampli-tuner stéréo Marantz pour votre chaîne.

Cet ampli-tuner comprend un certain nombre de caractéristiques conçues pour améliorer l'écoute de votre musique préférée. Veuillez lire attentivement ces instructions de fonctionnement. Nous recommandons que vous lisiez le mode d'emploi en entier avant d'essayer de connecter ou d'utiliser l'ampli-tuner.

Référez-vous aux figures de la page 5. Les numéros apparaissant sur les figures correspondent aux numéros utilisés dans le texte. Toutes les références aux connexions et aux commandes imprimées en caractères **GRAS** sont telles qu'elles apparaissent sur l'appareil.

## INSTALLATION

Ne pas oublier les points suivants lors de l'installation de l'ampli-syntoniseur :

- Ne pas exposer l'appareil à la pluie ni à l'humidité car elles pourraient l'endommager.
- Tous les appareils de ce type produisent de la chaleur pendant leur fonctionnement et celle-ci doit pouvoir se dissiper librement. Ne pas obstruer les ouvertures d'aération et prévoir un espace suffisant pour l'aération à l'arrière, sur les côtés et au-dessus de l'appareil.
- Eviter que l'appareil ne soit soumis à trop de chaleur. Ne jamais le placer directement aux rayons du soleil ou près d'une source de chaleur.

## PRECAUTIONS

Il convient de prendre les précautions suivantes pendant le fonctionnement de l'appareil.

## PRECAUTIONS GENERALES

Lors de l'installation de l'appareil, vérifier :

- que les orifices d'aération ne sont pas obstrués.
- que l'air peut circuler librement autour de l'appareil.
- que l'appareil est placé sur une surface non sujette aux vibrations.
- qu'il n'est pas exposé à des sources de chaleur excessive, au froid, à l'humidité et à la poussière.
- qu'il n'est pas exposé aux rayons directs du soleil.
- qu'il n'est pas exposé aux décharges électrostatiques.
- Installez toujours l'appareil horizontalement.

En outre, ne jamais placer d'objets lourds sur l'appareil.

Si un objet ou de l'eau pénètre à l'intérieur de l'appareil, prendre contact avec le distributeur ou le centre de service après-vente le plus proche.

Ne débranchez pas la fiche d'alimentation en tirant sur le cordon; débranchez en tirant sur la fiche elle-même,

Il est conseillé de débrancher l'appareil de la prise secteur quand vous quittez votre maison ou durant un orage.

## CARACTERISTIQUES

- 4 entrées audio
- Puissance de sortie 2 x 55 watts FTC.
- Amplificateur principal entièrement discret
- Mémoire de présélections aléatoires de 30 stations pour FM et pour AM.

# EMPLACEMENT ET FONCTION DES PIÈCES ET COMMANDES

## Caractéristiques du panneau avant

### ① Indicateur STANDBY

Cet indicateur s'allume quand l'ampli-tuner est en mode d'attente.

### ② Touche F/P (Fréquence ou numéro de présélection)

Change le mode d'affichage sur l'affichage de la fréquence ou du numéro de présélection.

### ③ Touche P.SCAN

Cette touche est utilisée pour balayer automatiquement les stations présélectionnées du tuner.

Quand vous appuyez sur cette touche, le tuner commence à parcourir les stations présélectionnées.

### ③ Touche P.SCAN

Cette touche est utilisée pour balayer automatiquement les stations présélectionnées du tuner.

Quand vous appuyez sur cette touche, le tuner commence à parcourir les stations présélectionnées.

### ④ Touche MEMO (mémorisation)

Appuyez sur cette touche pour mémoriser la fréquence de la station souhaitée.

### ⑤ Touche FM MODE

Appuyez sur cette touche pour choisir le mode stéréo ou monaural, lors de l'écoute d'émissions FM.

### ⑥ Touche Sélecteurs d'entrée

Ces touches choisissent la source audio. Le nom de la source choisie est affiché sur l'affichage fluorescent.

### ⑦ Commande d'accord/présélection UP et DOWN

Pendant une réception AM ou FM, vous pouvez passer à une autre fréquence ou station présélectionnée avec cette commande.

### ⑧ Commande VOLUME

Réglez le volume sonore avec ce bouton de commande.

La préamplification peut aussi être réglée.

### ⑨ Touche d'alimentation (POWER)

Lorsque l'on appuie une fois sur la touche, l'appareil est mis sous tension (ON) et les témoins s'allument sur l'afficheur. Si l'on appuie à nouveau sur la touche, l'appareil est mis hors tension (OFF). Après initialisation ou réinitialisation, appuyez sur cet interrupteur pour entrer en mode d'attente.

Pour mettre l'ampli-tuner sous tension, appuyez sur n'importe quelle touche de fonction ou sur la touche POWER de la télécommande.

### ⑩ Prise de casque d'écoute stéréo PHONES

Cette prise est compatible avec une grande variété de types de casques d'écoute dynamiques conventionnels.

### ⑪ Touches SPEAKERS (système 1 ou 2)

Utilisez ces touches pour choisir le système d'enceintes 1 ou 2 ou les deux à la fois.

### ⑫ Commande BASS CONTROL

Avec cette commande, réglez les basses fréquences à votre goût et selon l'acoustique de la pièce.

### ⑬ Commande TREBLE CONTROL

Avec cette commande, réglez les hautes fréquences à votre goût et selon l'acoustique de la pièce.

### ⑭ Commande BALANCE CONTROL

Avec cette commande, réglez l'équilibre du volume sonore entre l'enceinte droite et gauche.

### ⑮ AFFICHEUR

#### a Témoin STEREO

Ce témoin s'éclaire si l'émission FM reçue est en stéréophonie.

#### b Indicateur TUNED

Cet indicateur s'allume quand une émission est reçue correctement.

#### c Indicateur TAPE MONITOR

Cet indicateur s'allume en mode TAPE MONITOR.

#### d Indicateur PRESET

Cet indicateur s'allume en mode d'affichage des présélections.

#### e Indicateur MEMORY

Quand la touche MEMO (mémorisation) est pressée, cet indicateur s'allume pendant environ 5 secondes.

#### f Affichage numéro de pré réglage

Indique le numéro de présélection choisi.

#### g Affichage Fréquence/Caractéristiques

Affiche la fréquence de la station choisie ou les mots correspondants lors de la sélection d'une source de programme.



## Raccordements au panneau arrière (Voir pages 5.)

Toutes les connexions au panneau arrière doivent être effectuées tandis que toute la chaîne est mise hors tension. Pour éviter toute confusion, connecter un câble à la fois entre les divers éléments de la chaîne. C'est la manière la plus sûre d'éviter d'inverser des canaux ou de confondre les entrées et les sorties des signaux.

### **A** Prise d'antenne

Borne d'antenne FM

Pour la connexion d'une antenne FM externe avec un câble coaxial ou pour la connexion d'un réseau par câble.

Bornes d'antenne AM et de mise à la terre

Pour connecter l'antenne-cadre AM fournie. Utiliser les bornes marquées "AM" et "GND".

Dans les endroits où l'antenne-cadre AM donne des résultats médiocres, il est recommandé de connecter l'ampli-syntoniseur à une antenne extérieure. Utiliser à cet effet la borne AM. Un fil de mise à la terre peut être raccordé à la borne GND pour réduire encore l'interférence.

### **B** Prises PHONO INPUT

Connectez les prises de sortie d'une platine tourne-disque à ces prises.

### **C** Prises AUX (TV) INPUT

Connectez aux prises de sortie audio du téléviseur (ou d'un autre équipement).

### **D** Prises d'entrée/sortie TAPE

Connectez les prises de sortie (PLAY) de la platine cassette aux prises d'entrée IN et connectez les prises d'entrée (REC) de la platine cassette aux prises OUT.

### **E** Prises d'entrée CD

Connectez aux prises de sortie audio du lecteur CD.

### **F** Prises REMOTE

Connectez aux autres appareils Marantz équipés de prises REMOTE. (Voir page 18.)

Les appareils Marantz utilisent le langage de commande à distance Philips RC-5.

### **G** Prises PRE OUT

Ces prises fournissent des signaux de sortie préamplifiés et sont utilisées pour connecter (si nécessaire) un amplificateur de puissance extérieur.

### **H** Prises SPEAKER

Connectez aux enceintes L (gauche) ou R (droite).

### **I** Prise d'alimentation secteur

Connectez le cordon d'alimentation secteur du lecteur CD, de la platine cassette, etc. de votre chaîne. L'alimentation fournie des prises commutées est verrouillée avec le l'interrupteur POWER de l'ampli-tuner.

La consommation propre maximum totale des appareils connectés ne doit pas dépasser la limite suivante:

TOTAL DE 120 WATT MAX.

### **J** Cordon d'alimentation secteur

Brancher l'appareil sur une prise secteur de 120 V CA.

Remarque sur l'impédance des haut-parleurs :

La puissance nominale spécifiée pour cet amplificateur Marantz est déterminée à l'aide des impédances de charge test de valeur fixe. Cependant, l'impédance réelle d'un système de haut-parleurs varie en fonction de la fréquence et s'écarte de la puissance nominale.

Cet ampli-tuner Marantz peut entraîner n'importe quel système d'enceintes avec une impédance nominale de 8 ohms minimum.

Certaines enceintes récentes ont une impédance de moins de 8 ohms. La capacité de sortie à fort courant de cet ampli-tuner Marantz peut fournir la puissance supplémentaire nécessaire pour entraîner de telles enceintes à basse impédance. Cependant, pendant les passages prolongés à fort volume, le circuit de protection peut interrompre temporairement le fonctionnement de l'ampli-tuner. Si cela se produit, réduire simplement le volume en conséquence. Le circuit de protection est spécialement conçu de façon qu'il ne puisse pas affecter la qualité sonore pendant un fonctionnement normal.

## Connexions du bus de la télécommande

Cet appareil est doté de la fonction de télécommande. En connectant les prises de télécommande de l'appareil à un lecteur de CD Marantz ou à une platine cassette Marantz munis de prises de télécommande (D-BUS), il est possible d'utiliser la télécommande du système.

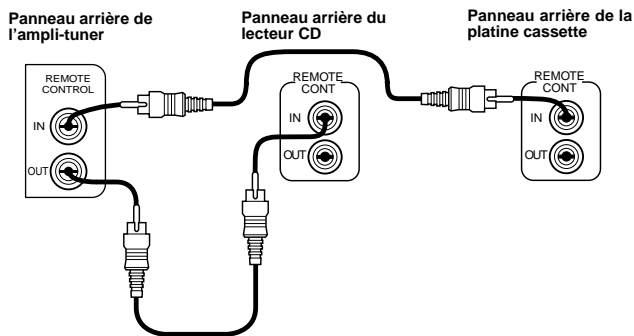
Connectez la prise **REMOTE CONT. OUT** de l'ampli-tuner à **REMOTE CONT. IN** d'un autre appareil Marantz (un lecteur de CD ou une platine cassette, par exemple) au moyen d'un câble se terminant par un jack miniature.

Les appareils de la chaîne peuvent être branchés dans n'importe quel ordre.

### Remarque :

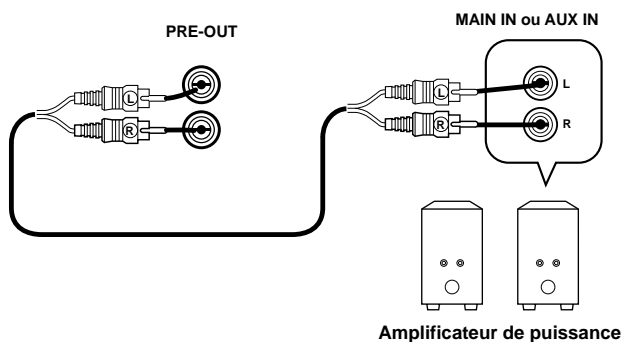
Si un élément muni de prises de télécommande (D-BUS) est doté d'un commutateur INT/EXT sur son panneau arrière, régler le commutateur sur **EXT** lors de l'utilisation de la fonction de contrôle du système.

(Exemple de connexion)



## Prises de sortie du préamplificateur (PRE OUT)

L'ampli-tuner est équipé des prises **PRE OUT** (préamplification). L'ampli-tuner a une puissance suffisante pour l'écoute normale, mais ces prises sont fournies au cas où une puissance supplémentaire serait requise. Dans ce cas, connecter ces prises à la prise principale ou aux prises d'entrée **AUX** de l'amplificateur principal.



## FONCTIONNEMENT DE BASE

### Ecoute du syntoniseur

1. Appuyer sur la touche **POWER** ⑩ pour mettre l'appareil sous tension.
2. Appuyer sur la touche **AM et FM** ⑥ afin de sélectionner la gamme souhaitée.
3. Ajuster la commande **TUNING UP et DOWN** ⑦ pour accorder la station choisie. Un ajustement pendant moins d'une demi-seconde fait changer la fréquence d'un pas. Une pression prolongée sur cette touche entraîne le balayage dans l'ordre des fréquences dans la direction indiquée. Si l'on relâche cette touche, on active la fonction d'accord automatique, qui balaie automatiquement les fréquences jusqu'à atteindre une station. A ce moment, les témoins **TUNED** et de niveau de signal s'allument et l'accord automatique s'interrompt.
4. Régler le volume sonore à l'aide de la commande **VOLUME** ⑧.

Si nécessaire, régler la qualité sonore avec les commandes de tonalité (**BASS/TREBLE**) ⑬ et ⑭.

## PRESELECTION DES STATIONS

Vous pouvez présélectionner aléatoirement jusqu'à 30 stations pour FM et pour AM, quelle que soit la bande de réception.

Accordez la station à mémoriser en utilisant l'accord automatique ou manuel.

### Présélection manuelle

1. Appuyez sur la touche **MEMO** (mémorisation) ④. L'indicateur "MEM" s'allume pendant environ 5 secondes.
  - Quand l'indicateur **MEMORY** s'éteint, appuyez de nouveau pour mémoriser.
2. Choisissez le numéro de présélection avec les commandes **TUNING UP/DOWN** ⑦.
3. Appuyez de nouveau sur la touche **MEMO** (mémorisation) ④.
4. Répétez les étapes 1 à 3 pour mémoriser d'autres stations.
  - Lors de la mémorisation d'une nouvelle station, la station précédemment mémorisée sur le même numéro de présélection est effacée.

### Présélection automatique

1. Le récepteur est réglé pour la FM.
2. Maintenez appuyée la touche **MEMO** (mémorisation) ④ pendant environ 3 secondes.
3. Le tuner commence alors le balayage automatique des stations. L'examen de la bande cesse automatiquement lorsque toutes les fréquences ont été mises en mémoire.

## ECOUTE D'ÉMISSIONS FM STEREO

- Pendant la réception d'une émission FM, appuyez sur la touche **FM MODE** ⑤ pour choisir le mode stéréo automatique.
- Chaque fois que vous appuyez sur cette touche, le mode change comme suit:
  - Mode stéréo : l'indicateur STEREO s'allume.
  - Mode monaural : l'indicateur STEREO s'éteint.
- Si vous écoutez une station FM de signal très faible, vous pouvez faire l'expérience de bruits de fond (souffle) très importants. Passer en mode monaural pour éliminer le bruit de fond.

## LECTURE

### Lecture normale

1. Appuyer sur la touche **POWER** ⑩ pour mettre l'appareil sous tension.
2. Appuyer sur la touche de fonction désirée ⑥ selon le tableau ci-dessous.
3. Commencer la lecture de la source désirée.
  - Régler le volume avec la commande de **VOLUME** ⑧.
  - Régler la tonalité à l'aide des commandes **BASS** et **TREBLE** ⑬ et ⑭.

Élément de source	Touche de fonction
Lecteur de CD	CD
FM ou AM	FM/AM
TV ou AUX	AUX/TV
Platine tourne-disque	PHONO
Platine cassette	TAPE MONI

## REGLAGES

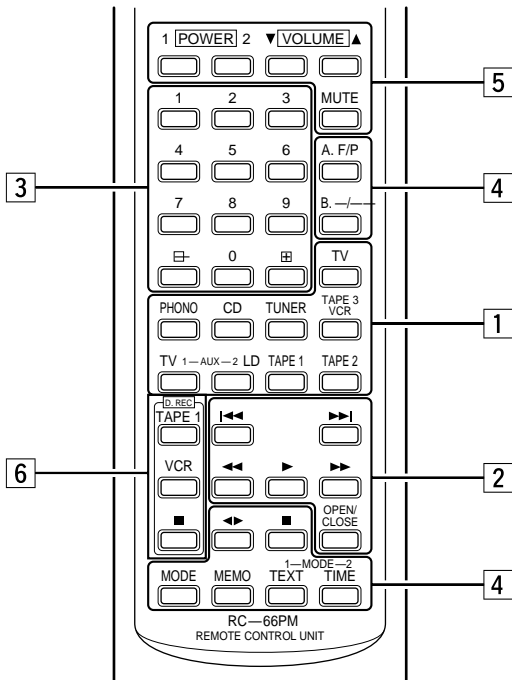
### • ENREGISTREMENT AVEC UNE PLATINE CASSETTE

Enregistrement avec la platine cassette TAPE 1

1. Choisissez la source de programme qui doit être enregistrée avec les touches **INPUT FUNCTION SELECTOR** ⑥.
2. Démarrez l'enregistrement sur la platine cassette connectée aux prises **TAPE 1**.
3. Le réglage du volume de la balance, des graves et des aigus n'a aucun effet sur l'enregistrement ou le doublage.

## TÉLÉCOMMANDE RC-66PM

La télécommande RC-66PM peut être utilisée pour agir sur un appareil audiovisuel Marantz doté d'un capteur de télécommande ainsi que sur tout autre appareil Marantz relié au premier par l'intermédiaire du bus de télécommande. Les touches de la télécommande RC-66PM sont regroupées par fonction, comme indiqué ci-dessous.



Quand on appuie sur la touche parmi les touches de sélection de source Tuner, les touches de la télécommande sont dotées des fonctions indiquées ci-après.

TOUCHE	FONCTION
+	Station pré réglée suivante
-	Station pré réglée précédente
A, F/P+[3]	Présélection Fréquence
MODE	Stéréo/Mono
MEMO	mémorisation
POWER 2	Mise sous/hors tension de l'amplificateur
MUTE	Activation/désactivation de la sourdine de l'amplificateur
VOL ▲	Augmentation du volume de l'amplificateur
VOL ▼	Diminution du volume de l'amplificateur

Quand on appuie sur une touche de sélection de source **1**, les touches des groupes **2**, **3**, **4** et **5** deviennent les touches de commande de l'appareil correspondant à la source choisie (lecteur, syntoniseur, TV, etc.).

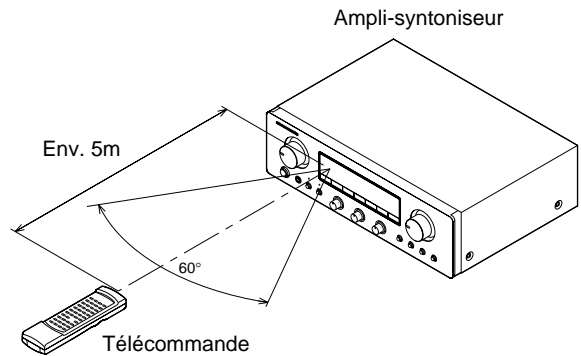
## UTILISATION DE LA TÉLÉCOMMANDE

### 1. Télécommande

La télécommande (RC-66PM) doit être utilisée à une distance d'environ 5 mètres du capteur de télécommande, situé sur l'avant de Receiver.

Le contrôle à distance ne sera pas possible si l'émetteur de la télécommande n'est pas dirigé vers le capteur de l'appareil ou si un obstacle se trouve entre l'émetteur et le capteur.

#### Rayon de fonctionnement de la télécommande



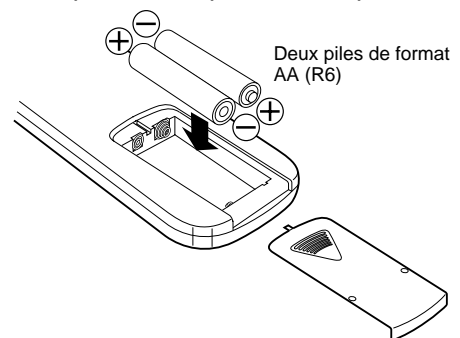
### 2. Mise en place des piles

Dans des conditions normales d'utilisation, l'autonomie des piles de cette télécommande est d'environ une année. Si l'on prévoit de ne pas utiliser la télécommande pendant longtemps, il convient de retirer les piles. Les remplacer sans tarder quand on constate qu'elles commencent à se décharger.

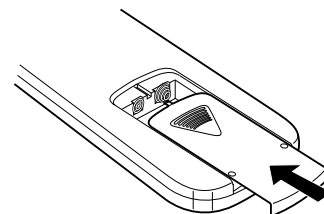
#### ① Retirer le couvercle du logement des piles.



#### ② Installer les piles en respectant leur polarité.



#### ③ Refermer le couvercle du logement jusqu'à entendre un déclic.



## REMARQUES D'INSTALLATION

Lorsque l'appareil est placé sur un autre appareil audio ou à proximité de celui-ci, un ronronnement du secteur peut parfois se produire. Disposer l'appareil de manière à faire cesser ce ronronnement. Toujours placer l'appareil horizontalement.

Ce modèle comporte un microprocesseur à hautes performances. En cas de mauvais fonctionnement du fait de l'électricité statique, par exemple, il faut mettre l'appareil hors tension et à nouveau sous tension après 30 secondes.

## ENTRETIEN ET MAINTENANCE

Ce chapitre traite des opérations d'entretien et de maintenance à effectuer afin que l'utilisation de votre appareil Marantz soit optimale.

## NETTOYAGE DES SURFACES EXTERIEURES

La finition extérieure de votre l'ampli-tuner durera indéfiniment tant que vous l'entretenez correctement. Ne jamais utiliser des tampons à récurer, de la paille de fer, des poudres à récurer ou de puissants agents chimiques (comme des produits de lessive), de l'alcool, des diluants, de la benzine, des insecticides ou autres substances volatiles étant donné qu'elles altèrent la finition de l'appareil. De la même manière, ne jamais utiliser de chiffons imbibés de substances chimiques. Si l'appareil est sale, nettoyer les surfaces extérieures avec un chiffon doux, non pelucheux. Si l'appareil est fortement sali :

- diluer un peu de liquide pour vaisselle dans de l'eau, à savoir une part de produit détergent pour six parts d'eau;
- tremper un chiffon doux, non pelucheux dans la solution et tordre le chiffon jusqu'à ce qu'il soit humide ;
- nettoyer l'appareil à l'aide du chiffon humide ;
- essuyer l'appareil en le frottant avec un chiffon sec.

## REPARATIONS

Seuls des techniciens qualifiés et compétents sont autorisés à réparer votre appareil. Marantz et son personnel formé en usine présent dans les centres de garantie, disposent des connaissances et des équipements spéciaux requis pour la réparation et l'étalonnage de ces appareils de précision.

En cas de problème, appelez le numéro vert figurant sur la garantie afin de connaître le nom et l'adresse du Centre autorisé de service après-vente Marantz le plus proche de chez vous. Très souvent, le revendeur auprès duquel vous avez acquis votre appareil Marantz sera équipé pour effectuer la réparation. Veuillez préciser le modèle et le numéro de série de votre appareil et joindre une copie de votre preuve d'achat ainsi qu'une description complète de l'anomalie apparente de l'appareil.

### Sauvegarde de la mémoire

- L'ampli-tuner est doté d'une fonction de sauvegarde qui permet aux données stockées en mémoire, pour les préséglages par exemple, de ne pas être effacées, au cas où une panne de courant se produit ou si la fiche du cordon secteur est retirée par accident. Les fonctions de la mémoire sont gardées pendant une semaine environ.

## GUIDE DE DEPANNAGE

Si votre ampli-tuner ne fonctionne pas comme souhaité, consultez le tableau ci-dessous pour voir si le problème ne peut pas être corrigé avant de chercher de l'aide auprès de votre revendeur ou de notre centre de service.

PROBLEME	CAUSE POSSIBLE	REMEDE
Pas d'alimentation	<ul style="list-style-type: none"> <li>Le cordon d'alimentation secteur est débranché.</li> <li>Le branchement au niveau de la prise secteur murale est mauvais ou la prise n'est pas active.</li> </ul>	<ul style="list-style-type: none"> <li>Connectez le cordon fermement.</li> <li>Vérifier la prise avec une lampe ou un autre appareil.</li> </ul>
Le son est coupé	<ul style="list-style-type: none"> <li>Les câbles d'enceintes sont court-circuités.</li> </ul>	<ul style="list-style-type: none"> <li>Vérifiez les connexions des enceintes.</li> </ul>
Aucun son en provenance des enceintes	<ul style="list-style-type: none"> <li>Les câbles d'enceintes sont déconnectés.</li> <li>Le volume sonore principal est réglé trop bas.</li> <li>La touche de mise en sourdine a été pressée.</li> <li>Les commutateurs d'enceintes ne sont pas sur la bonne position.</li> <li>Une source de programme incorrecte a été choisie.</li> <li>Connexions incorrectes entre les appareils.</li> </ul>	<ul style="list-style-type: none"> <li>Vérifiez les connexions des enceintes.</li> <li>Réglez le volume principal.</li> <li>Appuyez sur la touche MUTE pour annuler la mise en sourdine.</li> <li>Mettez le commutateur sur la position ON.</li> <li>Choisissez la source de programme correctement.</li> <li>Réalisez les connexions correctement.</li> </ul>
Le son provient uniquement d'une des deux enceintes avant.	<ul style="list-style-type: none"> <li>La commande BALANCE est réglée sur l'une des extrémités.</li> <li>Un des cordons de connexion est déconnecté.</li> </ul>	<ul style="list-style-type: none"> <li>Ajustez la commande BALANCE.</li> <li>Connectez fermement les câbles de connexion droite et gauche.</li> </ul>
La télécommande ne fonctionne pas.	<ul style="list-style-type: none"> <li>Il n'y a pas de piles ou les piles sont usées.</li> <li>Il y a un obstacle devant le capteur de télécommande.</li> </ul>	<ul style="list-style-type: none"> <li>Remplacez les piles par des nouvelles.</li> <li>Retirez l'obstacle de devant la télécommande.</li> </ul>
Pas de réception de station	<ul style="list-style-type: none"> <li>Aucune antenne n'est connectée.</li> <li>La fréquence de la station souhaitée n'est pas accordée.</li> </ul>	<ul style="list-style-type: none"> <li>Connectez une antenne.</li> <li>Accordez de nouveau la station souhaitée.</li> </ul>
Pas de réception de la station présélectionnée	<ul style="list-style-type: none"> <li>Une fréquence de station incorrecte a été mémorisée.</li> <li>La station mémorisée a été effacée.</li> </ul>	<ul style="list-style-type: none"> <li>Mémorisez la fréquence de station correcte.</li> <li>Mémorisez de nouveau la station.</li> </ul>
Mauvaise réception FM	<ul style="list-style-type: none"> <li>Aucune antenne n'est connectée.</li> <li>L'antenne n'est pas positionnée pour la meilleure réception.</li> </ul>	<ul style="list-style-type: none"> <li>Connectez une antenne.</li> <li>Changez la position de l'antenne. Placez-la aussi haut que possible.</li> </ul>
Bruit de souffle continu pendant la réception FM, spécialement quand une émission stéréo est reçue	<ul style="list-style-type: none"> <li>Le signal est faible.</li> </ul>	<ul style="list-style-type: none"> <li>Dans les régions éloignées de l'émetteur, nous recommandons une antenne en 5 ou 8 éléments conçue exclusivement pour la réception FM.</li> </ul>
Bruit de souffle continu ou intermittent pendant la réception AM, spécialement durant la nuit. Un ronflement est entendu pendant la réception AM.	<ul style="list-style-type: none"> <li>Le bruit est causé par des moteurs, des lampes fluorescentes, des éclairages, etc...</li> <li>Le cordon d'alimentation secteur est peut-être trop proche de l'antenne cadre AM ou du fil de l'antenne.</li> </ul>	<ul style="list-style-type: none"> <li>Eloignez l'ampli-tuner des sources de bruit. Installez une antenne AM extérieure.</li> <li>Eloignez le cordon d'alimentation secteur du fil d'antenne et de l'antenne cadre AM. Ajustez la position de l'antenne cadre AM.</li> </ul>

# SPECIFICATIONS TECHNIQUES

## Section du Tuner FM

Plage de fréquence .....	87.5 – 108.0 MHz
Sensibilité utile .....	IHF 2.0 $\mu$ V/11.3 dBf
Rapport signal sur bruit .....	Mono/Stéréo 70/65 dB
Distorsion .....	Mono/Stéréo 0.3/0.5 %
Séparation stéréo .....	1 kHz, 32 dB
Sélectivité de canal alterné .....	$\pm$ 400 kHz, 50dB
Rejet d'image .....	98.1 MHz, 40 dB
Niveau de sortie du tuner .....	1 kHz, $\pm$ 75 kHz Dev 600 mV

## Section du tuner AM

Plage de fréquence .....	520 – 1710 kHz
Sensibilité utile .....	500 $\mu$ V en boucle
Rapport signal sur bruit .....	40 dB
Distorsion .....	1 kHz, 30 % $\pm$ 1.0 %
Sélectivité .....	$\pm$ 10 kHz, 25 dB

## Section audio

Puissance nominale .....	20 Hz – 20 kHz, 8 ohms, 60 W/ca.
DHT .....	20 Hz – 20 kHz, 8 ohms, 0,09 %
Sensibilité d'entrée/impédance	
Linéaire .....	200 mV/47 kohms
Rapport signal sur bruit (IHF A)	
Linéaire .....	95 dB

## Autres

Alimentation .....	secteur 120 V, 60 Hz
Consommation .....	1.8 A

## Dimensions (Max.)

Largeur .....	440 mm
Hauteur .....	137 mm
Profondeur .....	392 mm
Poids .....	7.5 kg

Les spécifications sont sujettes à changement sans notification préalable.

COUNTRY	COMPANY	ADDRESS
ALGERIE	Azur 2000	8, Lotissement Ben Hatadi, Alger, Algeria
ARMENIA	NGYIG Ltd.	47 A/75 St. Lalaiaants, 375000 Yerevan, Armenia
AUSTRALIA	Jamo Australia Pty. Ltd.,	24 Lionel Road, Mt. Waverley, VIC 3149, Australia
AUSTRIA	Huber & Prohaska GmbH	Taborstraße 95 / Ladestraße 1, Gebäude Hangartner, A-1200 Wien, Austria
BAHREIN	Ambassador Stores	P.O. Box 237,141, Government Avenue, Manama,Bahrein
BANGLADESH	Target	1078, Ramjoy Mohanja Lane Asadgonj, Chittagong 4000, Bangladesh
BELGIUM	Van der Heyden Audio N.V.	Brusselbaan 278, 9320 Ereembodegem, Belgium
BULGARIA	Ariescommerce GmbH	Makedonia Blvd. 16, 1606 Sofia, Bulgaria
CANADA	Lenbrook Industries Limited	633 Granite Court, Pickering, Ontario
CHINA	Guang Chang Audio International Co., Ltd.	No.38 Yushan Road, ShiQiao, Pan Yu, Guang Dong, China
CYPRUS	Empire Hifi systems Ltd.	P.O. Box 5604, Nicosia, Cyprus
CZECH REPUBLIC	Audio International	Sokolska 41, 67902 Rajecsko, OKR,Blansko, Czech Republic
DENMARK	Audio Nord	Dali Allé 1, 9610 Noerager, Denmark
DUBAI	V.V.& SONS	P.O. Box 105, Dubai, U.A.E.
EGYPT	Solimco	9, El Attibaa St. Doki, Cairo, Egypt
ESTONIA	HiFi Club Estonia	Ehte 4, 90503 Haapsalu, Estonia
F.Y.R.O.M.	T.P. KODI	ul.Cedomir Kantargiev 21a, Skopje, Former Yugoslavian Republic of Macedonia
FINLAND	Audio Nord	Uudenmaankatu 4-6, Helsinki SF-00120, Finland
FRANCE	Marantz France	A division of Marantz Europe B.V., P.O. Box 301, 92 156 Suresnes Cedex, France
GERMANY	Marantz Deutschland	Hakenbusch 3, 49078 Osnabrück, Germany
GREECE	Adamco S.A.	188, Hippocrates Street, 11471 Athens, Greece
HEADQUARTERS EUROPE:	Marantz Europe B.V.	Building SFF-2, P.O. Box 80002, 5600 JB Eindhoven, The Netherlands
HONG KONG	Marantz Asia Ltd.	Unit 1706, Metroplaza II, 223 Hing Fong Road, Kwai Fong, N.T., Kowloon, Hong Kong
HUNGARY	Infvox Ltd.	Terez Krt.31, 1067 Budapest, Hungary
ICELAND	ID Electronics Ltd.	Armula 38, 108 Reykjavik, Iceland
INDIA	NOVA Audio Private	8,Punam Co-op.Society 29/30 Road#5, Union Park MUMBAI 400052, India
IRAN	Home Co.	5th floor no 878 Philips Building Enghelab ave, P.O. 11365/7844 Tehran, Iran
IRELAND	Marantz Ireland	Clonskeagh, Dublin 14, Ireland
ISRAEL	Elmor Ltd.	52 Heh Beiyar Street, Kikar Hamedina, Tel Aviv, Israel
ITALY	Marantz Italy	Via Casati 23, 20052 Monza (Milano), Italy, Servizio Consumatori 1678-20026, Numero Verde
IVORY COAST	Hifivoir	B.P. 2428, Abidjan 01, Ivory Coast
JAPAN	Marantz Japan Inc.	35-1 Sagami Ohno 7-Chome, Sagamihara-shi, Kanagawa 228-8505, Japan
KOREA	Mk Enterprises Ltd.	121-210, 2F Shinhan Bldg., 247-17 Seokyo-dong, Mapo-ku, Seoul, Korea
KUWAIT	alAlamiah Electronics Intl.	P.O. Box 8196, Salmiah 22052, Kuwait
LATVIA	Ace Ltd.	61, LacPlesa Str., Riga LV 1011, Latvia
LEBANON	AZ Electronics S.A., 1,	P.O. Box 11 2833, Beirut, Lebanon
LITHUANIA	Accapella Ltd.	Ausros, Vartu G/5, Pasazo SKG., 2001 Vilnius, Lithuania
MALAYSIA	Wo Kee Hong Electronics Sdn. Bhd.	102 Jalan SS 21/35, Damansara Utama, 47400 Petaling Jaya, Selangordarul Ehsan, Malaysia
MALTA	Doneo Co Ltd.	78 The Strand, Sliema SLM07, Malta
MAURITIUS	SKR Electronics Ltd.	P.O. Box 685, Bell Village, Port Louis, Mauritius
MILITARY MARKET EUROPE	PASCO GmbH	PO BOX 1280, Sandhausen 69200, Germany
NETHERLANDS	Marantz Domestic Sales	A division of Marantz Europe B.V., Building SFF2, P.O. Box 80002, 5600 JB Eindhoven, The Netherlands
NEW ZEALAND	Wildash Audio Systems	14 Malvern Road, Mt. Albert, Auckland, New Zealand
NORWAY	Audio Nord	Sandkerveien 64, Oslo 0483, Norway
OMAN	Mustafa & Jawad Trading CO.	P.O. Box 1918, Ruwi, Oman
POLAND	Philips Polska Sp. z.o.o.	Al.Jerozolimskie 195b, 02 222 Warszawa, Poland
PORTUGAL	Corel2	Comércio de Electrónica Lda., Av. Luís Bivar, No 85 A, 1050 Lisboa, Portugal
PROFESSIONAL EUROPE	Marantz Professional Products	Kingsbridge House, Padbury Oaks, 575-583 Bath Road, Longford, Middlesex UB7 0EH, U.K.
PROFESSIONAL U.S.A.	Marantz Professional Products	Distributed by: Superscope Technologies Inc., 1000 Corporate Blvd. Ste.D, Aurora, Illinois
QATAR	Almana & Partners W.W.L.	P.O. Box 49, Doha, Qatar
REUNION	Vision +	180 Rue du Marechal Leclerc, 97400 Saint Denis, Ile de la Reunion
ROMANIA	Nova Music Entertainment	5, Zagazului Str. Bl.1G,apt.18, sector 1,Bucharest, Romania
RUSSIA	Absolute Audio	7/2, Montazhnaya Street, 107497 Moscow, Russia
SAUDI ARABIA	Adawlia Univ. Electr. Apl	P.O. Box 2154, Alkhobar 31952, Saudi Arabia
SINGAPORE	Forward Marketing (S) Pte. Ltd.	Wo Kee Hong Centre, 29 Leng Kee Road, Singapore 159099, Singapore
SLOVAKIA	Bis Audio s.r.o.	Nam. SNP 10, 96001 Zvolem, Slovakia
SLOVENIA	Bofex	Smartinska 152, HALA V/3, 61000 Ljubljana, Slovenia
SOUTH AFRICA	Coherent Imports (PTY) Ltd.	P.O. Box 1614, Alberton, 1450, South Africa
SPAIN	Marantz Spain	Martinez Villergas 2, Apartado 2065, Madrid 28027, Spain
SRI LANKA	The listening Room	Mezzanine Floor, The Landmark 385, Galle Road, Colombo - 3, Sri Lanka
SWEDEN	Audio Nord	Almedalsvagen 4, Gotenborg 402-23, Sweden
SWITZERLAND	Sound Company AG	Postfach, 8010 Zürich, Switzerland
SYRIA	Hamzeh & Partners	Hafez Ibrahim Str. No 117, Damascus Shalan, Syria
TAHITI	Covecolor	Av. Prince Hinoi, Cours de l'union sacré, P.O. Box 2334, Papeete, Tahiti
TAIWAN	Pai-Yuing Co. Ltd.	6th No 148 Sung Kiang Road, Taipei 10429, Taiwan R.O.C.
THAILAND	MRZ Standard Co. Ltd.	746-750 Mahachai Road, Wangburapa, Bangkok 10200, Thailand
TUNESIA	Societe EDEVIG	40, Avenue du Golfe Arabe, El Menzah, 1004, Tunesia
TURKEY	Türk Philips Ticaret A.S.	Yukari Dudullu Organize sanayi Bolgesi, 2.Cadde no.28, 81260 Umraniye-Istanbul, Turkey
U.K.	Marantz Hifi UK Ltd.	Kingsbridge House, Padbury Oaks, 575-583 Bath Road, Longford, Middlesex UB7 0EH, U.K.
U.S.A.	Marantz America Inc.	440 Medinah Road, Roselle, IL 60172, U.S.A.
YUGOSLAVIA	ITM Company	Omladinskih Brigada 86, 11070 Belgrade, Yugoslavia
EXPORT	Marantz Domestic Sales	A division of Marantz Europe BV,Building SFF2, P.O. Box 80002, 5600 JB Eindhoven, TheThe Netherlands

www.marantz.com

**marantz**® is a registered trademark.

