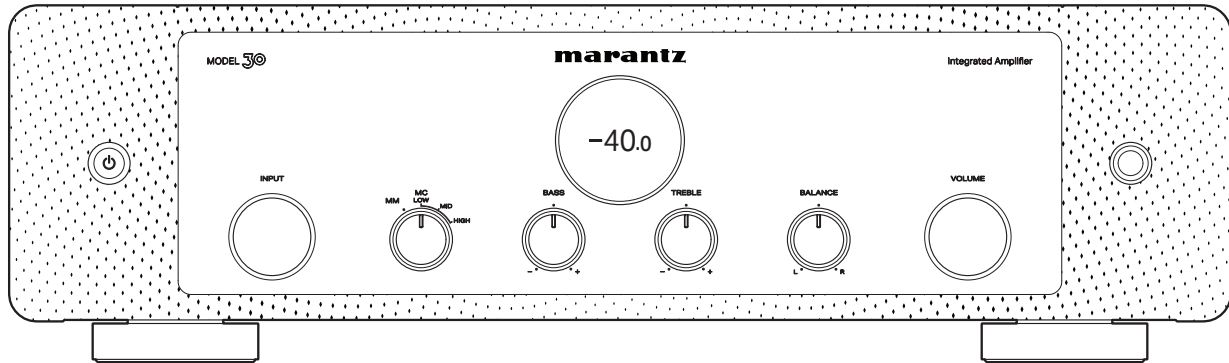


marantz



MODEL 30 | Integrated Amplifier

QUICK START GUIDE

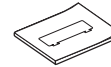
Welcome

Thank you for choosing a Marantz amplifier. This guide provides step-by-step instructions for setting up your amplifier.

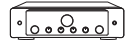
Before You Begin

What's In the Box

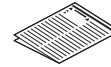
Quick Start Guide



Amplifier



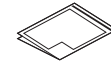
Safety Instructions



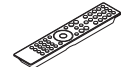
Power cord



Cautions on Using Batteries



Remote control unit (RC002PMND)



R03/AAA batteries



Required for Setup



CD Player



Speaker systems



Speaker cables



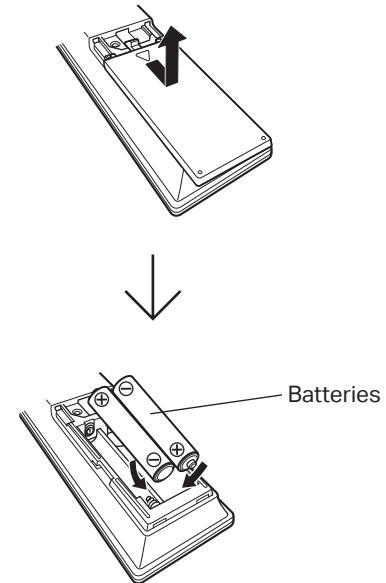
These drawings are for illustrative purposes only and may not represent the actual product(s).

Setup

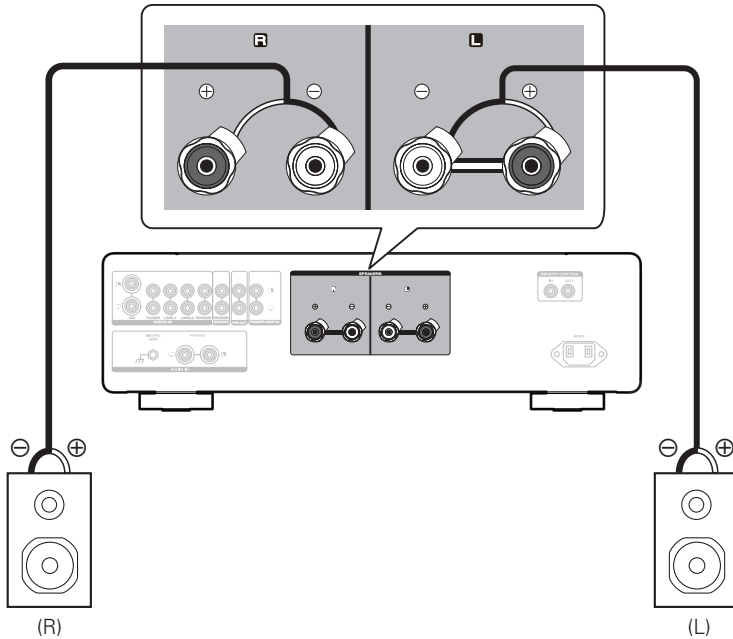
There are five steps to the setup process.

- 1 Install batteries in the remote control unit
- 2 Connect the speakers to MODEL 30
- 3 Connect the CD player to MODEL 30
- 4 Plug the power cord into a power outlet
- 5 Begin CD playback

1 Install batteries in the remote control unit

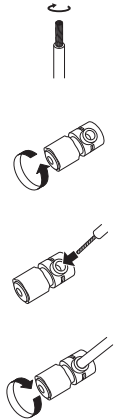


2 Connect the speakers to MODEL 30

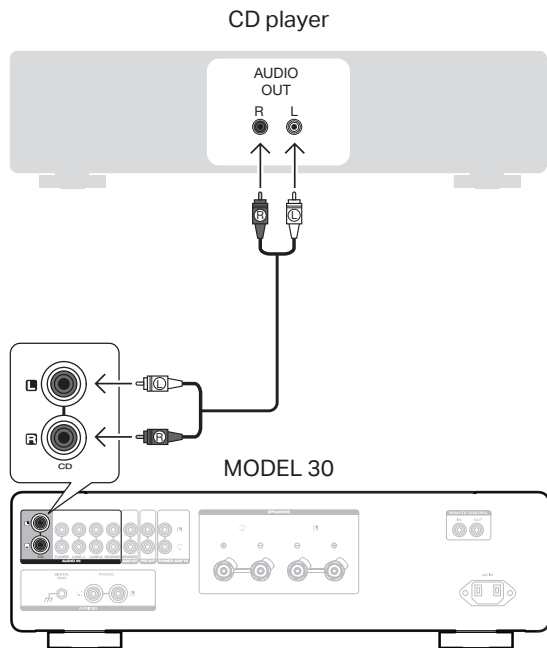


Connecting the speaker cables

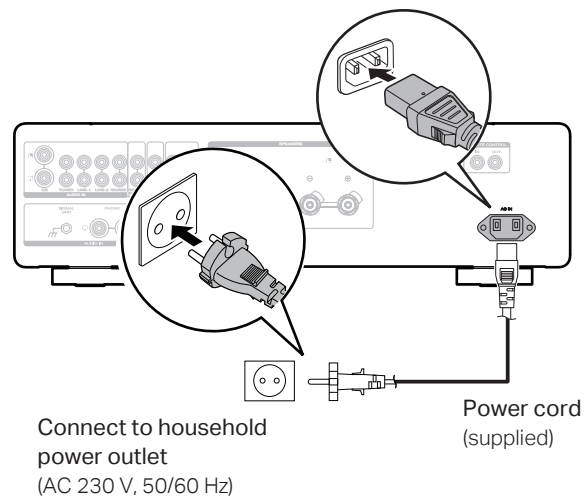
- 1 Peel off about 10 mm of sheathing from the tip of the speaker cable, then either twist the core wire tightly or apply solder to it.
- 2 Turn the speaker terminal counterclockwise to loosen it.
- 3 Insert the speaker cable's core wire to all the way into the speaker terminal.
- 4 Turn the speaker terminal clockwise to tighten it.



3 Connect the CD player to MODEL 30



4 Plug the power cord into a power outlet



Owner's Manual

5 Begin CD playback

1 Press the power operation button.



2 Set the input source to "CD".



3 Play the CD player.



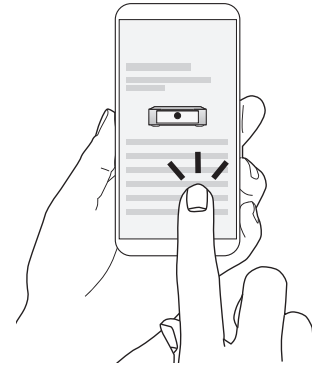
4 Adjust the volume.



- Refer to the Online Manual for other functions information and operation procedure details.
manuals.marantz.com/Model30/EU/EN/



Online Manual



- For more information, visit www.marantz.com



www.marantz.com

You can find your nearest authorized distributor or dealer on our website.

marantz is a registered trademark.